

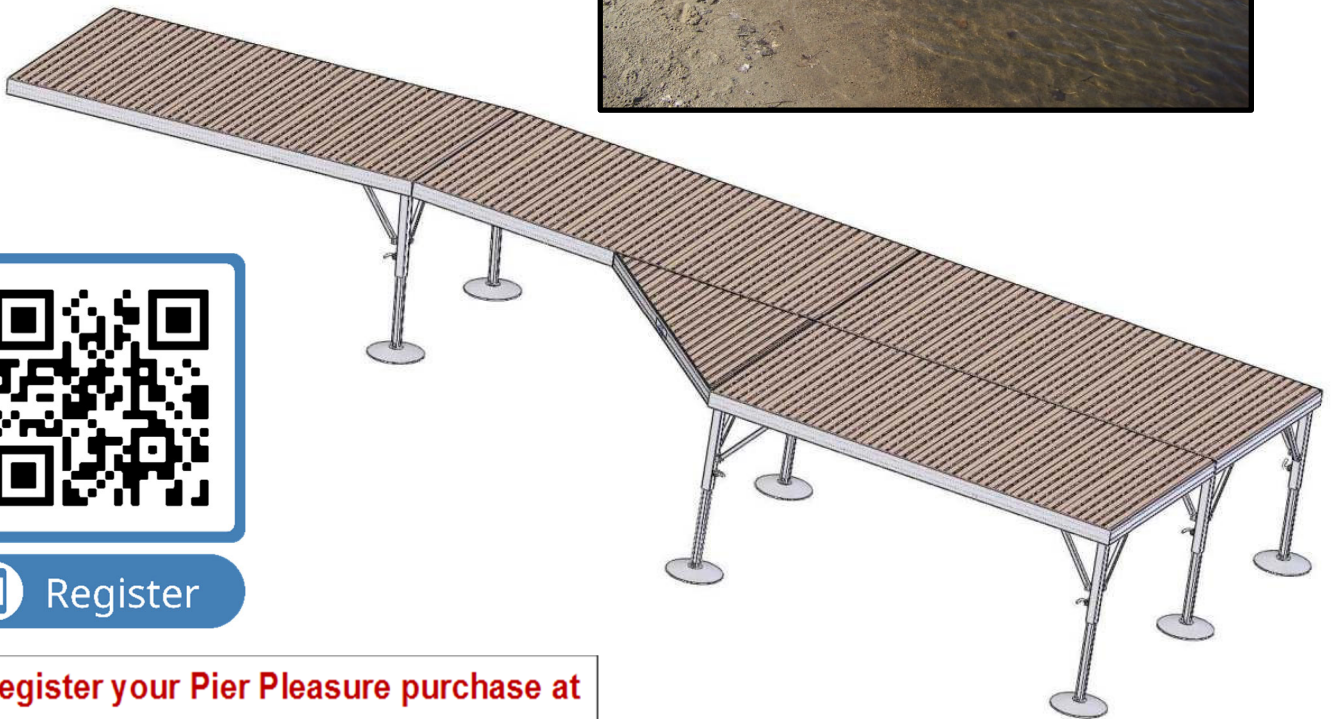


1270 N River Drive • Mankato, MN 56001
Phone 800.658.7010 • www.pierpleasure.com

e-Dock

exceptional • engineered • economical

Assembly and Owner's Manual



 Register

Register your Pier Pleasure purchase at
www.pierpleasure.com/warranty

e-Dock WARNINGS!

- Read and understand this manual completely before installing dock.
- Instruct everyone about the proper operating procedures.
- Level dock before using.
- Do not make any electrical connections to dock.
- Be sure to use cordless tools when near to or in water.
- Observe all caution stickers and decals. They are there for your safety.
- Always store vinyl and cedar panels on blocks of wood to keep off ground. This will prolong the life of the panels.
- To prevent risk of personal injury, do not lift or move dock alone. Be sure to use proper lifting techniques when assembling and moving dock.
- Be sure to tighten all bolts and brackets properly.
- It is recommended to lower the dock wheel kits to the lowest possible position before pushing / pulling dock from the water. This will prevent bending if wheel legs become hung up on a rock.
- Your Pier Pleasure limited warranty does not cover ice damage. Do not leave any Pier Pleasure product in the water during winter months. Leaving product in freezing water in all situations is not recommended. Any liability for damages caused by leaving product in freezing water will not be covered under warranty.
- Maximum Dock Load Capacity : 40 lbs. per square foot. Do not overload dock to prevent damage to frame and supports and to prevent risk of personal injury.
- Do not let anyone play under or around dock. No jumping, diving or running on the dock. Severe head, neck, back injury or death could result. Wear Personal Floatation Device(PDF) for added protection when on the dock.
- Raise set screw leg posts and lower wheel kits before moving dock out of water. Remove all decking panels before moving dock.
- Inspect dock frame, panels, connections, nuts and bolts monthly for damage, wear and loose connections. Tighten or replace parts as needed.

Thank you for purchasing a Pier Pleasure e-Dock. We appreciate the confidence you placed in our products. If you need additional assistance beyond the information in this manual, please contact Pier Pleasure at 1.800.658.7010 or e-mail at info@pierpleasure.com. May your Pier Pleasure dock bring you many years of enjoyment.

Tools Needed for Assembly and Installation:

- **1/2" Wrenches and/or Socket for 5/16" Bolts**
- **9/16" Wrenches and/or Socket for 3/8" Bolts**
- **Pliers**
- **Flat Edge Screwdriver**
- **Level**

Table of Contents

e-Dock Assembly	3
Connection Brackets	4
e-Dock Leg Assembly	5 - 6
e-Dock Corner Section Assembly	7
Photos of e-Dock	8
e-Dock Accessories	9 – 10
Wheel Kit for e-Dock	11
Photos of e-Dock	12
e-Dock Warranty	

**PLEASE OBSERVE ALL
CAUTION STICKERS.
THEY ARE THERE FOR
YOUR SAFETY!**

4' x 8' Section with Titan Panels : 6' Posts

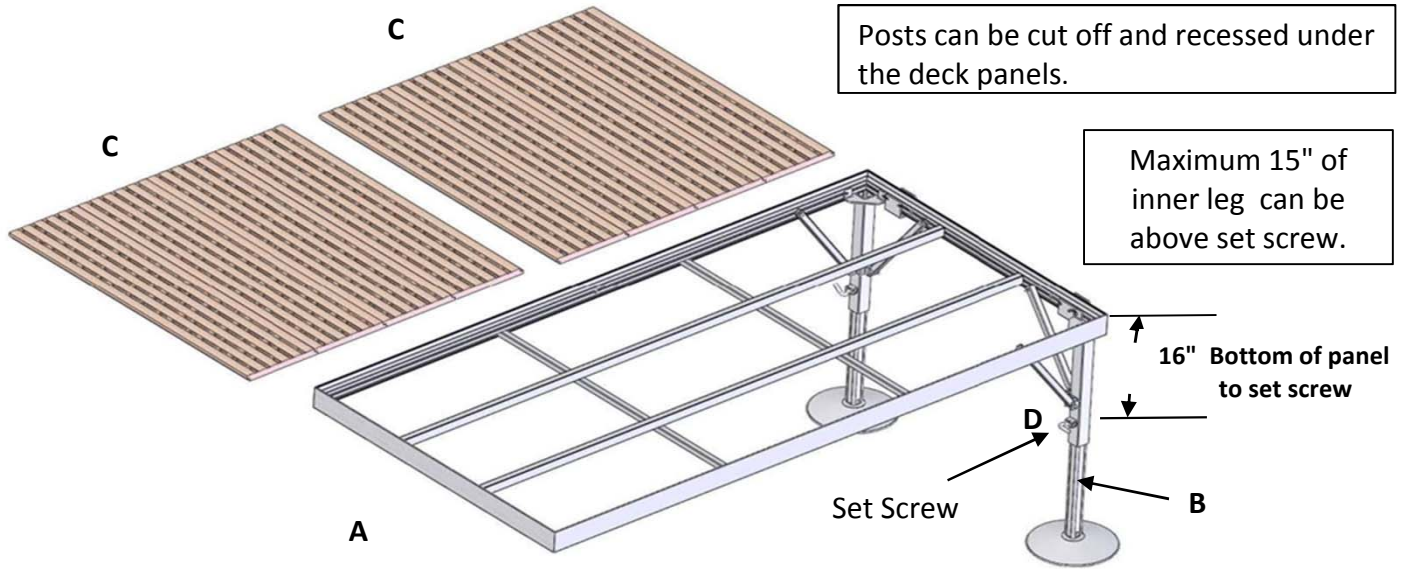
176-90072

4' x 8' Section with Titan Panels : 8' Posts

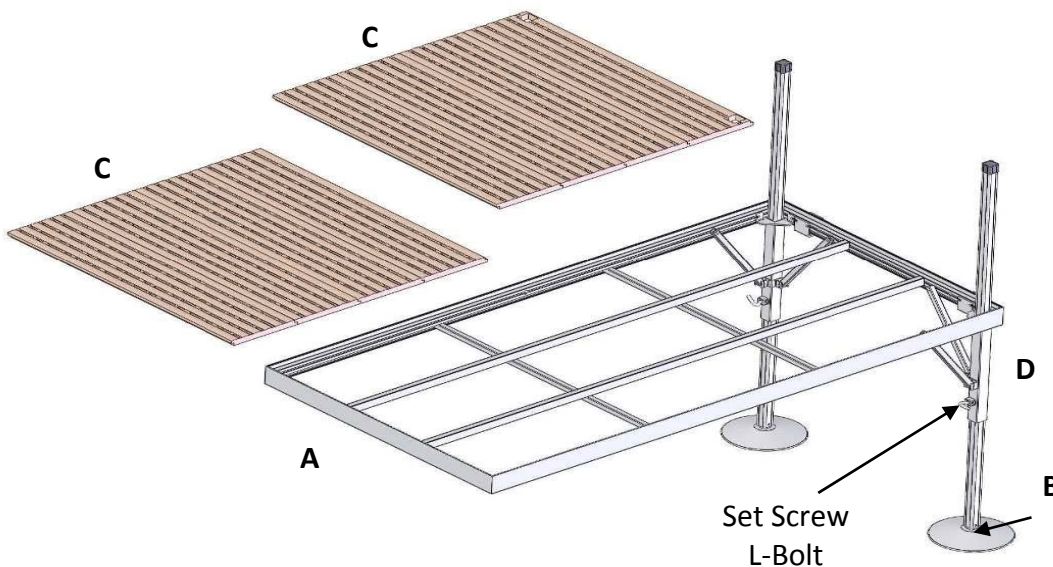
176-90096

A	1	4' x 8' Aluminum Frame	176-80000
C	2	Titan Panel : Unreinforced (No Holes)	484-20010
B	2	Dock Inner Leg : 6'	176-30672
D	1	Leg Kit : e-Dock (Pair) : 20" Outer Legs	176-40000
B	2	Dock Inner Leg : 8'	176-30696
D	1	Leg Kit : e-Dock (Pair) : 32" Outer Legs	176-40075

(Leg Kit Includes Outer Legs, Inner Legs, Footpads, Braces, Fasteners and End Caps)

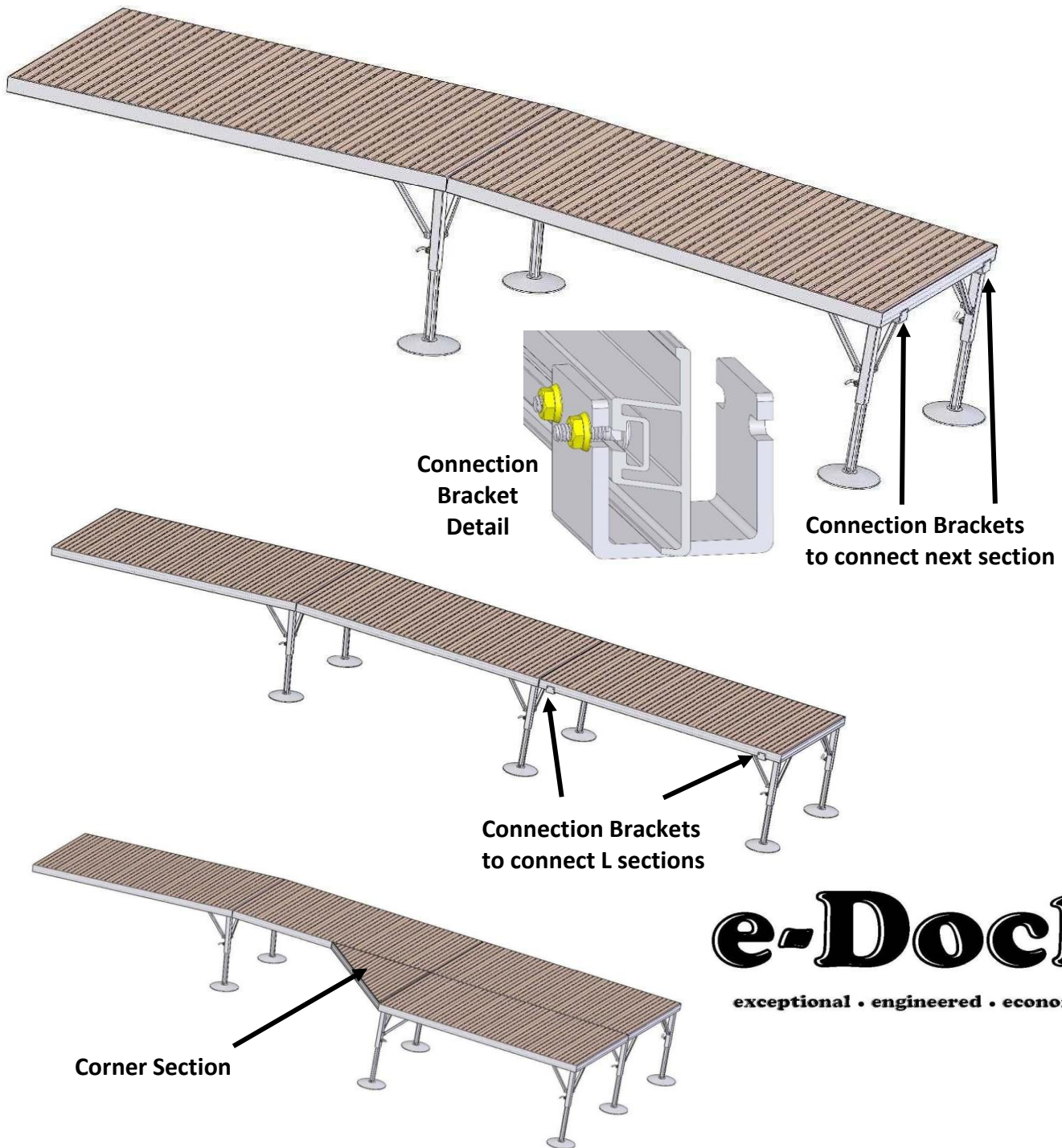


- Dock Sections can be used with posts cut-off or posts through the deck.
- Dealer or Customer will need to notch panels to allow posts to pass through the panel.
- Leg Kit standard with 6' Posts.
- Screws are available to attach panels to frame for a permanent deck.



Connection Brackets

- Connection brackets can be attached on the ends of the sections to connect end to end.
- Connection brackets can be attached on the side of the sections to connect L Sections.
- Connection brackets attach to the frame track and can be positioned and spaced as needed.
- Create any dock layout by placing and spacing the connection brackets on the preceding section.
- Maximum slope of section is 7" over the 8' section.
- Additional leg kits are available to easily create 3-legged and 4 legged sections.
- Corner Sections are available to complete the dock layout.
- Additional Carriage Bolts provided to secure frame after connecting next section. (Optional)



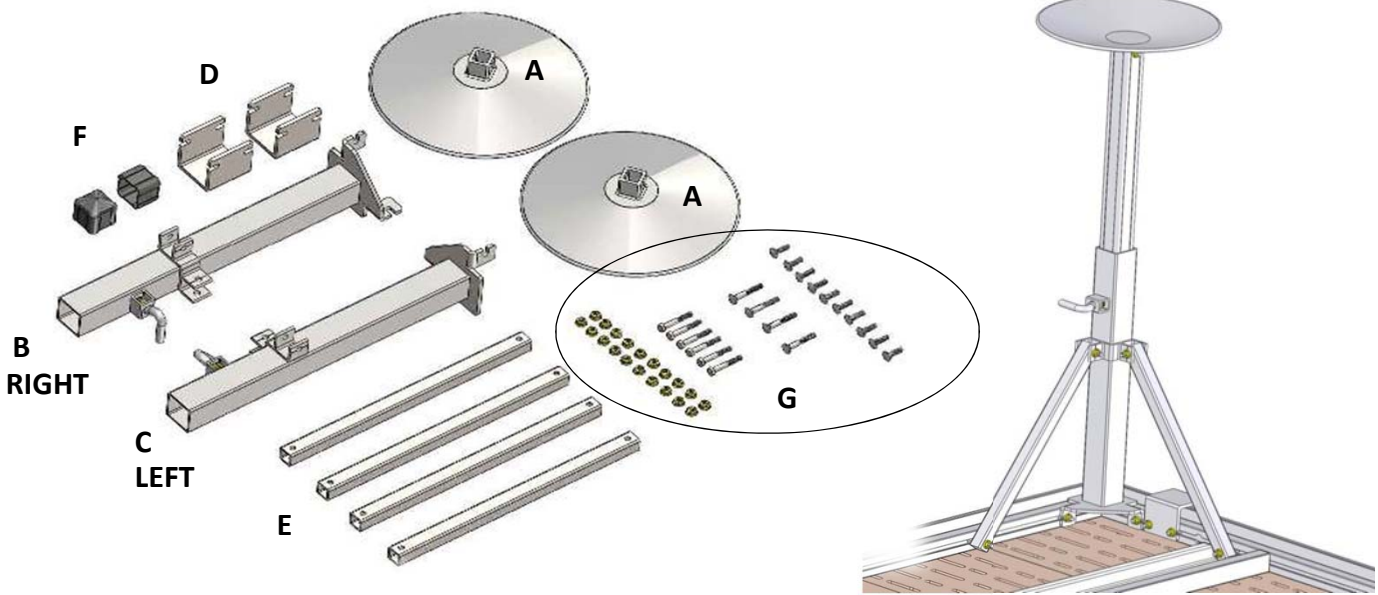
e-Dock

exceptional • engineered • economical

Leg & Connection Bracket Kit : e-Dock (Pair)

176-40000 or 176-40075

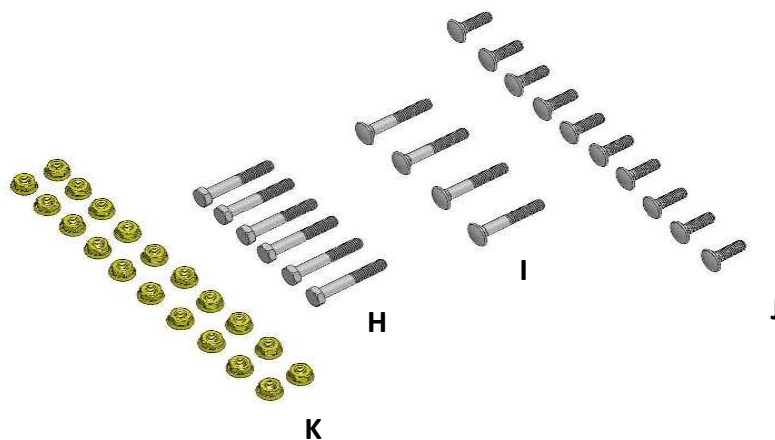
A	2	Footpad	ASMBY-FTP	
B	1	20" Dock Outer Leg : Left (6' Posts)	176-80100L	Used in 176-40000
C	1	20" Dock Outer Leg : Right (6' Posts)	176-80100R	Used in 176-40000
B	1	32" Dock Outer Leg : Left (8' Posts)	176-80200L	Used in 176-40075
C	1	32" Dock Outer Leg : Right (8' Posts)	176-80200R	Used in 176-40075
D	2	Connection Bracket : 2-1/4" Inside Width	176-27135	
E	4	1" x 1" Tube : 17" (Braces)	176-30520	
F	2	1.70" x 1.70" End Cap	CEV1717G	
G	1	Bolt Kit : Packaged Fasteners	176-40200	



Packaged Fasteners : Sectional Dock

176-40200

H	6	5/16" x 2" Bolt	140-31-2-B
I	4	5/16" x 2" Carriage Bolt	140-31-2-CB
J	10	5/16" x 1" Carriage Bolt	140-31-1-CB
K	20	5/16" Brass Flange Nut	140-31-NF



Starter / Additional Legs (Pair)**176-92072**

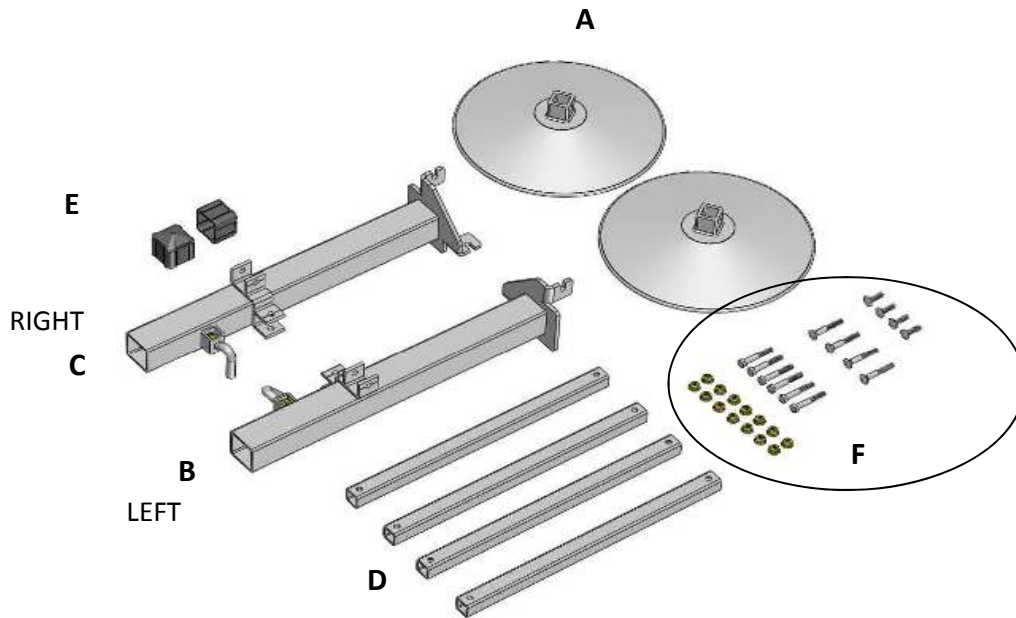
2	Dock Inner Leg : 6'	176-30672
1	Leg Kit : Additional Legs (Pair)	176-40050

Install additional legs at the start of dock or create 3 and 4 leg sections.

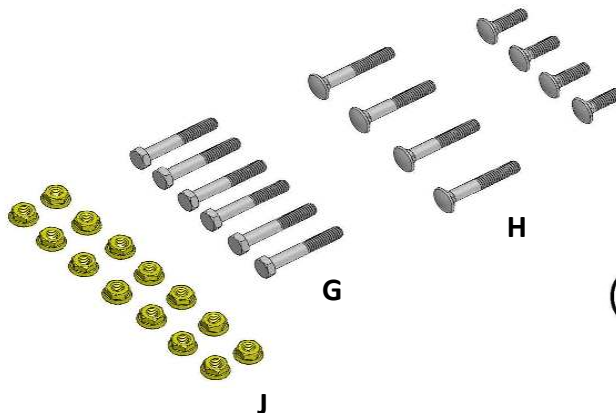
Leg Kit for Additional Pair of Legs**176-40050**

A	2	Footpad	ASMBY-FTP
B	1	20" Dock Outer Leg : Left	176-80100L
C	1	20" Dock Outer Leg : Right	176-80100R
D	4	1" x 1" Tube : 17" (Braces)	176-30520
E	2	1.70" x 1.70" End Cap	CEV1717G
F	1	Bolt Kit : Packaged Fasteners	176-40250

This kit does not include the connection brackets

**Packaged Fasteners : Additional Legs****176-40250**

G	6	5/16" x 2" Bolt	140-31-2-B
H	4	5/16" x 2" Carriage Bolt	140-31-2-CB
I	4	5/16" x 1" Carriage Bolt	140-31-1-CB
J	14	5/16" Brass Flange Nut	140-31-NF



e-Dock

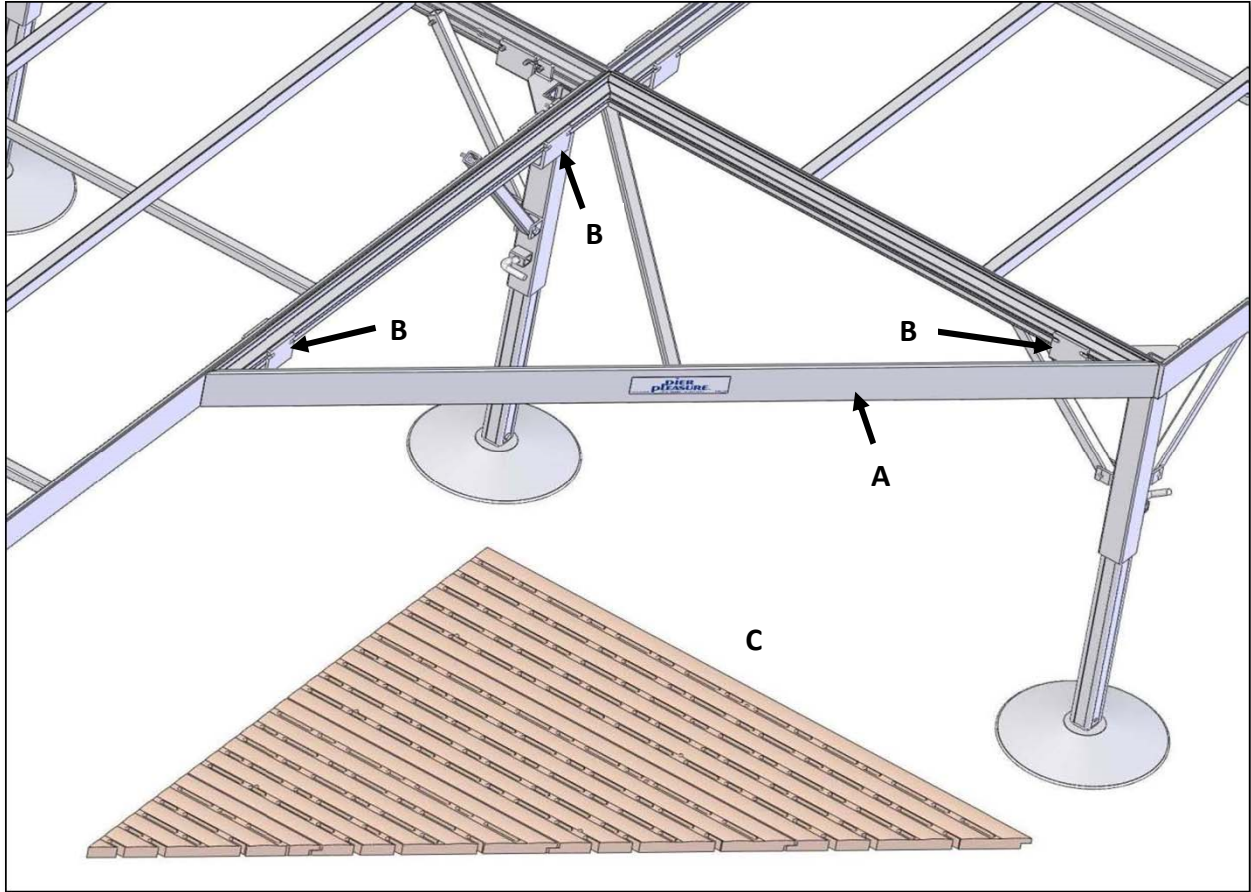
exceptional • engineered • economical

2 additional 1" Carriage Bolts and Nuts provided to secure frame after connecting next section. (Optional)

4' Corner Section with Titan Panel : Left
4' Corner Section with Titan Panel : Right

176-91000L
176-91000R

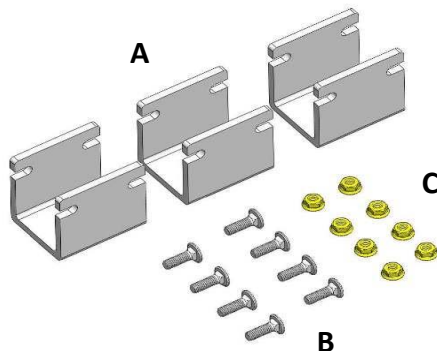
A	1	Corner Frame	176-81000
B	1	Bolt Kit : Corner Section	176-40100
C	1	Titan Corner Panel : Left or	176-65000L
C	1	Titan Corner Panel : Right	176-65000R



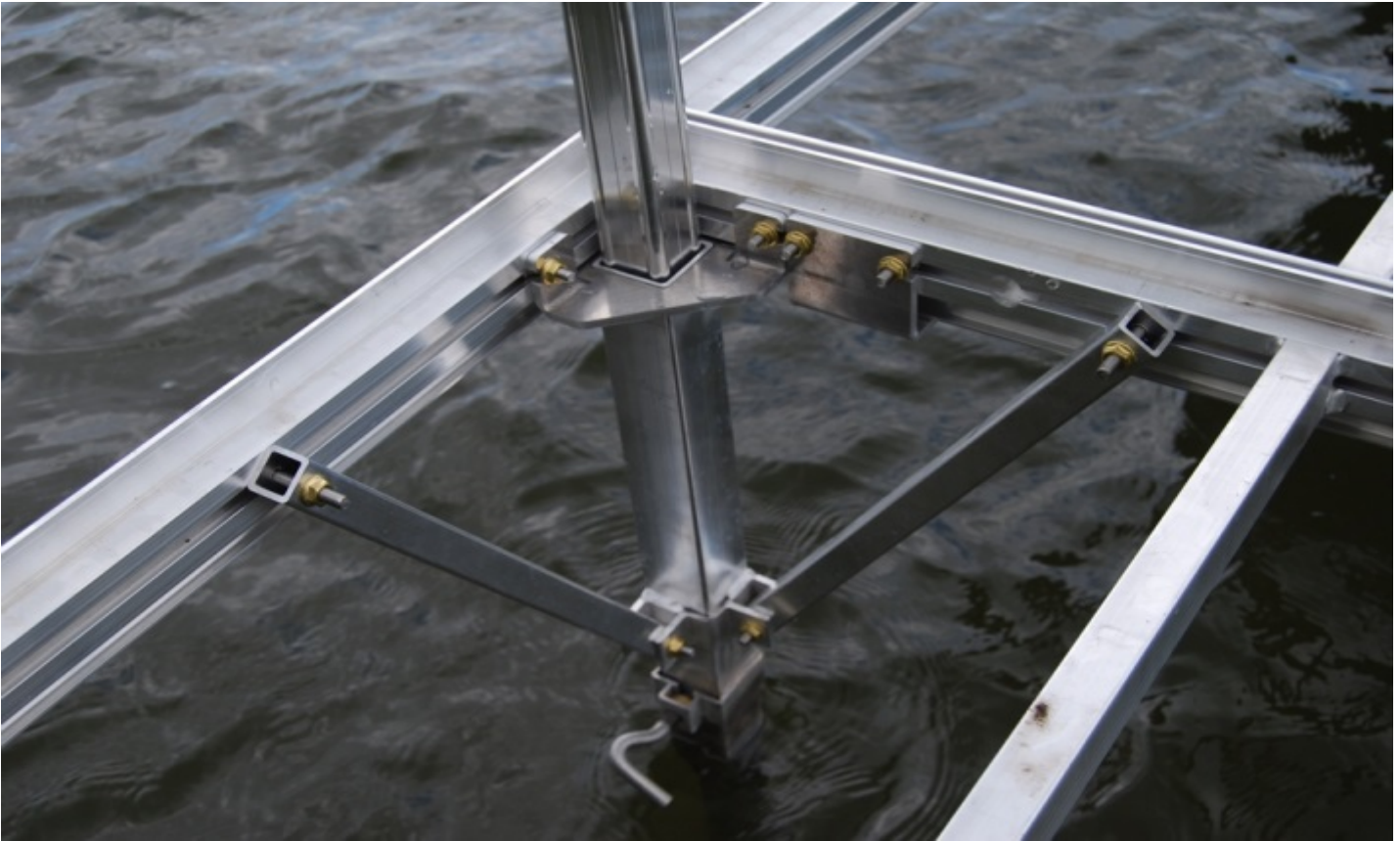
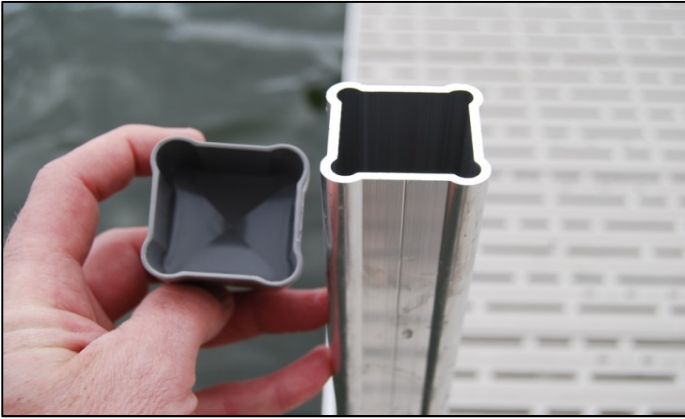
Bolt Kit : Corner Section

176-40100

A	3	Connection Bracket : 2-1/4" Inside Width	176-27135
B	8	5/16" x 1" Carriage Bolt	140-31-1-CB
C	8	5/16" Brass Flange Nut	140-31-NF



2 additional 1" Carriage Bolts and Nuts provided to secure both sides.
 (Optional)



e-Dock
exceptional • engineered • economical

Dock Accessories :

3-Step Ladder with e-Dock Bolt Kit

176-98000

Tan Vinyl Bench with e-Dock Bolt Kit

176-98100

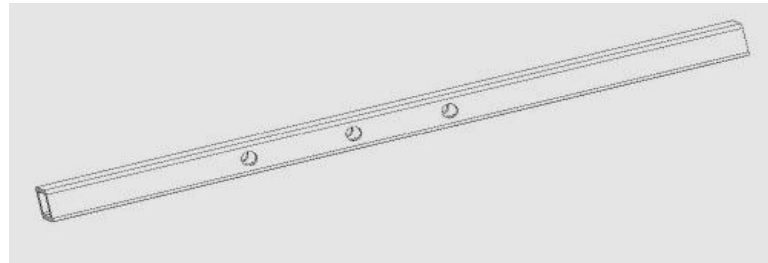


Bolt Kit for Ladder installed on e-Dock
Bolt Kit for Bench installed on e-Dock

176-40300

176-40350

***This bolt kit is required
to secure benches and ladders
to the e-Dock frame.***



1" x 1" Tube : 20" Long

130-1120-B



All accessories that install on Pier Pleasure's standard sectional dock will attach to the e-Dock:

- Ladders
- Tan Vinyl Bench
- Movable Cleats
- Dock Railings
- Post Brackets
- Flagpole & Mounting Bracket
- Windsock Pole & Mounting Bracket
- Dock Furniture & Mounting Brackets
- Dock Lites & Mounting Brackets
- Fishing Pole Holders
- Dock Stairs
- Vertical Bumpers
- Horizontal Bumpers
- Corner Protectors
- Canoe Rack

Stainless Tek Screw

#10 x 1-3/4"

140-10-175-TEK

You may secure the Titan Panels to the dock frame with Stainless Screws to create a permanent deck.

Great to secure panels in locations with high wind and large waves.



Cap, Panel Notch

176-50000

Cover up the notched out panel with this easy to slide on cap.



e-Dock

exceptional • engineered • economical

Wheel Kit for e-Dock Section

176-98200

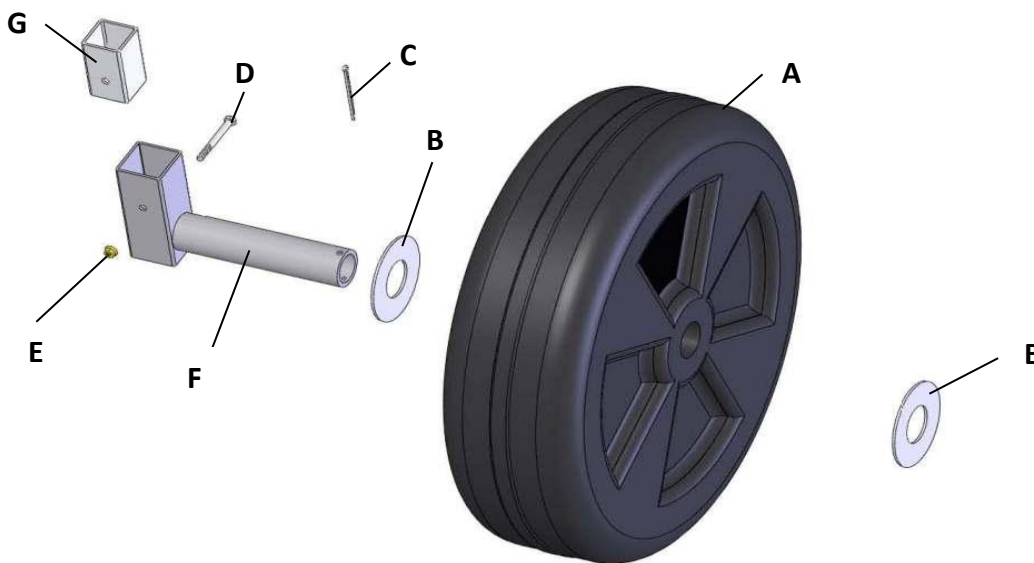
A	2	Plastic Wheel	175-48000
	1	Hardware for Wheel Kit on e-Dock	176-40400



Hardware for Wheel Kit on e-Dock

176-40400

B	4	1-3/4" Wheel Washer	140-175-W
C	2	3/16" x 3" Cotter Pin	140-18-3-CP
D	2	5/16" x 3" Bolt	140-31-3-B
E	2	5/16" Brass Flange Nut	140-31-NF
F	2	Wheel Spindle	175-50600
G	2	Adapter tube	130-2235-WK





e-Dock
exceptional • engineered • economical

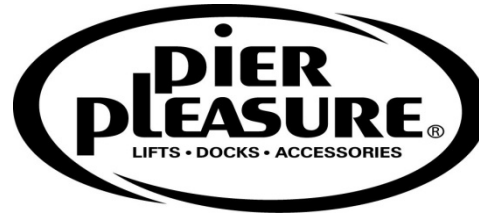
PIER PLEASURE DOCK LIMITED WARRANTY

During the term of the Limited Warranty on your Pier Pleasure Dock, Pier Pleasure's obligations and liabilities under this warranty are limited to covering the cost of all parts and labor needed to repair or replace any Pier Pleasure supplied item that proves defective in material, workmanship or factory preparation. These repairs or replacements (parts and labor) will be made by your dealer using new or remanufactured parts for the periods specified for each product as follows:

20-Year Dock Structural Limited Warranty	
Sectional Dock Frames	20 Years
Sectional Dock Leg Kits	20 Years
e-Dock Sectional Dock Frames	20 Years
e-Dock Sectional Leg Kits	20 Years
Roll-In Dock Frames	20 Years
Roll-In Dock Wheel Kits	20 Years
Lifetime Leg Adjustment Rod Limited Warranty	
Sectional Dock Adjustment Rod Assembly	Limited Lifetime
Roll-In Dock Adjustment Rod Assembly	Limited Lifetime
2-Year Dock Accessory Limited Warranty	
All Dock Accessories	2 Years
Vinyl Dock Surface Panel Limited Warranty	
DockDeck by Trusscore®, formerly known as Brock Dock Vinyl Materials	Limited Lifetime
https://trusscore.com/resources/dockdeck-lifetime-limited-warranty.pdf	
DockDeck Vinyl Panel Construction	12 Years
Cedar Dock Surface Panel Limited Warranty	
Cedar Panel Construction	1 Year
Cedar Deck Material	90 Days
Aluminum Surface Panel Limited Warranty	
Aluminum Panel Construction	5 Years
Aluminum Panel Paint	5 Years
Titan Vinyl Surface Panel Limited Warranty	
Titan Vinyl Panel Material	12 Years
Titan Vinyl Panel Construction	12 Years
VoyageR Aluminum	
http://www.titandeck.net	

The construction and material for each individual surface panel is covered by the supplier's limited warranty and/or Pier Pleasure's Limited Warranty. The warranty will vary in time for each dock surface.

Register your Pier Pleasure purchase at www.pierpleasure.com/warranty



Commencement of Warranty

The Pier Pleasure Limited Warranty will commence the earlier of 1) the date the original owner takes delivery of a new Pier Pleasure dock, OR (2) the date the dock was first put into service (for example, as a dealer "demo" or as a Pier Pleasure display dock).

Warranty not Transferable or Assignable:

This Pier Pleasure Limited Warranty shall extend only to the original owner of our product and is not transferrable or assignable. The "original owner" is defined as the first legal owner of a Pier Pleasure Dock other than an authorized distributor or dealer who has bought the dock from Pier Pleasure for resale to the public.

What your Pier Pleasure Limited Warranty

Does Not Cover: Your Pier Pleasure Limited Warranty does not cover the costs of repairing damage caused by environmental factors or Acts of God.

"Environmental factors" include, but are not limited to, such things as airborne fallout, chemicals, tree sap, salt, brackish water, galvanic corrosion, electrolysis and water hazards. "Acts of God" include, but are not limited to, such things as rainstorms, hailstorms, windstorms, tornadoes, lightning, floods and earthquakes.

Your Pier Pleasure Limited Warranty does not cover ice damage. Do not leave any Pier Pleasure product in the water during winter months. Leaving any Pier Pleasure product in freezing water in all situations is not recommended. **ANY LIABILITY FOR DEFECTS OR DAMAGES CAUSED BY LEAVING PRODUCT IN FREEZING WATER WILL NOT BE COVERED UNDER THIS WARRANTY.**

Your Pier Pleasure Limited Warranty does not cover the costs of repairing damage caused by poor or improper maintenance. The Pier Pleasure Limited Warranty does not cover the costs of normal or scheduled maintenance of your aluminum Pier Pleasure dock.

Your Pier Pleasure Limited Warranty does not cover the costs of repairing damage or conditions caused by fire or accident; by exceeding load ratings; by abuse or

negligence; by misuse; by improper installation or removal; by tampering with parts; by improper adjustment or alteration; or by any changes made to your Pier Pleasure dock that do not comply with Pier Pleasure specifications.

The Pier Pleasure Limited Warranty does not cover commercial use applications of any Pier Pleasure product.

Dock Modification or Alteration:

Unauthorized modifications or alterations of, or use of components other than genuine Pier Pleasure components, on any Pier Pleasure products are not recommended. ANY LIABILITY FOR DEFECTS OR DAMAGES CAUSED BY SUCH UNAUTHORIZED MODIFICATIONS OR ALTERATIONS OF, OR USE OF COMPONENTS OTHER THAN GENUINE PIER PLEASURE COMPONENTS, WILL NOT BE COVERED UNDER THIS WARRANTY.

Production Changes:

Pier Pleasure and its distributors and dealers reserve the right to make changes in Pier Pleasure docks built and or sold by them at any time without incurring any obligation to make the same or similar changes on docks previously built and or sold by them, including with regard to any warranty repairs or replacements and this Pier Pleasure Limited Warranty does not cover the cost of adding anything to any Pier Pleasure product once it is delivered to the original owner.

Disclaimers:

THE LIMITED WARRANTY SET FORTH HEREIN IS IN LIEU OF ALL OTHER WARRANTIES AND LIABILITIES WHETHER IN CONTRACT OR IN TORT, NEGLIGENCE, EXPRESSED OR IMPLIED, IN LAW OR IN FACT, INCLUDING IMPLIED WARRANTIES OF MERCHANTABILITY AND FITNESS FOR A PARTICULAR USE. SOME STATES DO NOT ALLOW LIMITATIONS ON HOW LONG AN IMPLIED WARRANTY LASTS, SO THE ABOVE LIMITATION MAY NOT APPLY TO YOU.

TO THE MAXIMUM EXTENT PERMITTED BY LAW, PIER PLEASURE SHALL NOT BE LIABLE FOR ANY COSTS, LOSS, EXPENSE, DAMAGES, SPECIAL DAMAGES, INCIDENTAL DAMAGES OR CONSEQUENTIAL DAMAGES ARISING DIRECTLY OR INDIRECTLY FROM THE INSTALLATION, USE, MISUSE, OR INABILITY TO USE THIS PRODUCT. THIS EXCLUSION APPLIES REGARDLESS OF WHETHER SUCH DAMAGES ARE SOUGHT BASED

ON BREACH OF WARRANTY, BREACH OF CONTRACT, NEGLIGENCE, STRICT LIABILITY IN TORT, OR ANY OTHER LEGAL THEORY. SHOULD THE COMPANY NEVERTHELESS BE FOUND LIABLE FOR ANY DAMAGES, THE TOTAL LIABILITY OF THE COMPANY SHALL BE LIMITED TO THE PURCHASE PRICE OF THE PARTICULAR PRODUCT AT ISSUE. SOME STATES DO NOT ALLOW THE EXCLUSION OR LIMITATION OF INCIDENTAL OR CONSEQUENTIAL DAMAGES, SO THE ABOVE LIMITATION OR EXCLUSION MAY NOT APPLY TO YOU.

THIS WARRANTY GIVES YOU SPECIFIC LEGAL RIGHTS, AND YOU MAY ALSO HAVE OTHER RIGHTS WHICH VARY FROM STATE TO STATE.

How to Get Warranty Service for Your Dock

Please contact the dealer from whom you bought the dock for warranty service. When contacting your dealer, please provide them with your date of purchase and the nature of the problem. If contact with the dealer is not feasible, please contact Pier Pleasure for further assistance.

Pier Pleasure reserves the right to have dealers conduct any necessary warranty service. Dealers and Pier Pleasure, at their sole discretion, reserve the right to have defective parts returned for inspection as part of the warranty claim process. Pier Pleasure does not cover the cost of returning parts.

Thank you for the investment you have made in this Pier Pleasure product. This document contains Pier Pleasure, Inc.'s Limited Warranty. It should be kept in a safe place and presented to your dealer if any warranty service is needed.

Manufactured by:
Pier Pleasure, Inc.
1270 N River Drive
Mankato, MN 56001
Phone 800.658.7010
www.pierpleasure.com



January - 2023

All visual representations, dimensions, and specifications contained in this manual are based on the latest product information available at time of publication approval. The right is reserved to make changes in material, equipment, design, and specifications

**Register your Pier Pleasure purchase at
www.pierpleasure.com/warranty**

All visual representations, dimensions, and specifications contained in this manual are based on the latest product information available at time of publication approval. The right is reserved to make changes in material, equipment, design, and specifications.

Dock layouts shown in this manual may not meet local and state codes in your area.

Pier Pleasure's warranty does not cover wind, storm, or ice damage. Do not leave any Pier Pleasure product in the water during winter months. Any liability for damages caused by leaving product in freezing water will not be covered under warranty.



1270 N River Drive • Mankato, MN 56001
Phone 800.658.7010 • www.pierpleasure.com



e-Dock

exceptional • engineered • economical